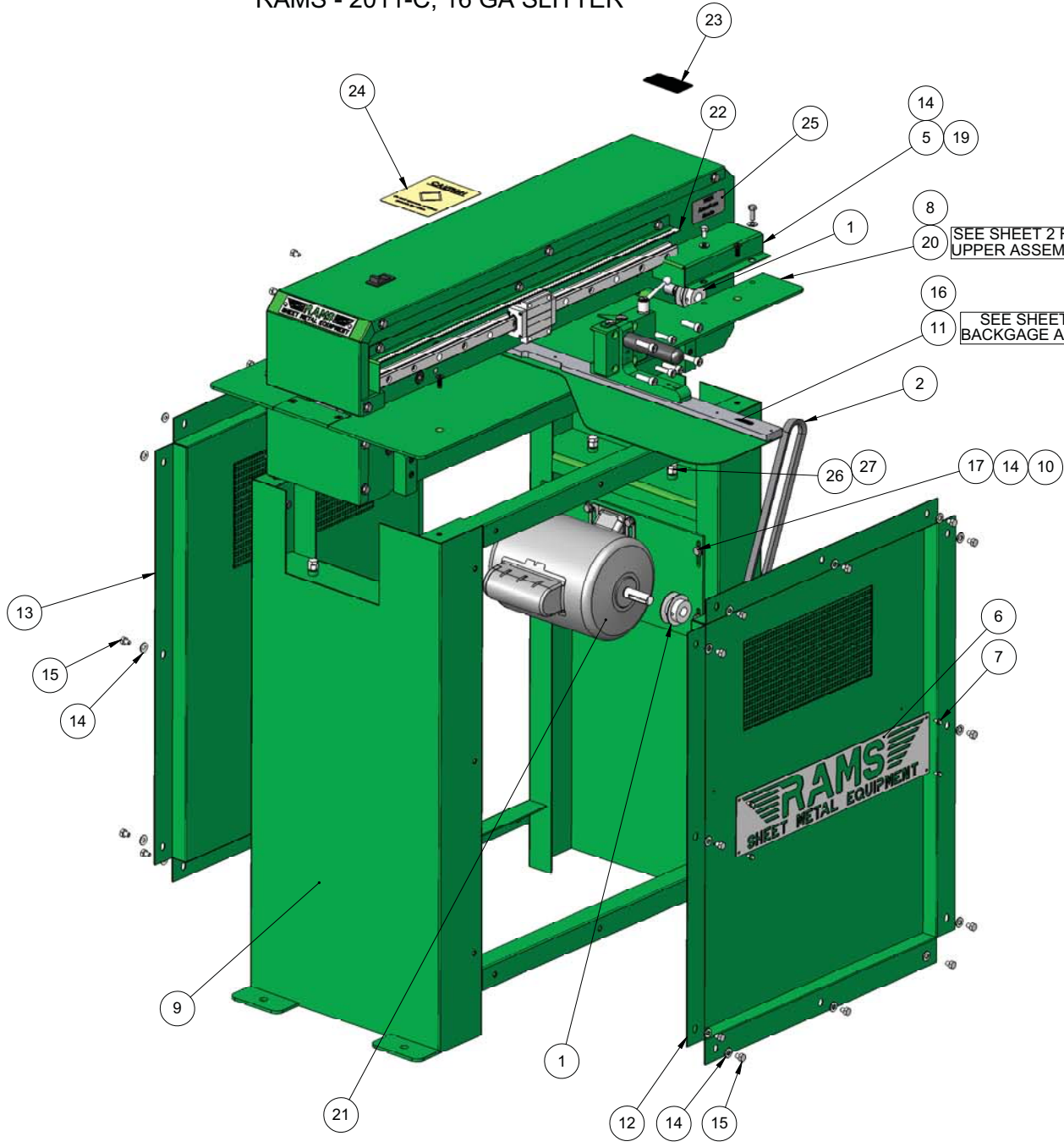
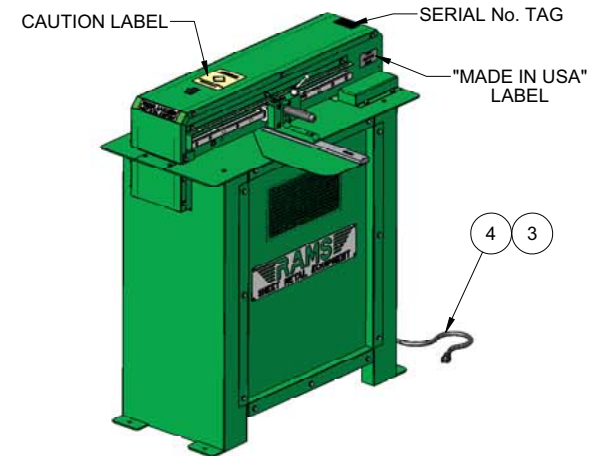


RAMS - 2011-C, 16 GA SLITTER



REVISIONS				
ZONE	REV.	DESCRIPTION	DATE	APPROVED
N/A	D	ADDED LABELS	12/10/08	SSL



ITEM NO.	PART NUMBER	DESCRIPTION	QTY.
1	CA200X5/8	2" DIA X 5/8" BORE PULLEY	2
2	N/A	4L-310 V-BELT	1
3	69915K51	CORD GRIP	1
4	N/A	POWER CORD	1
5	SL-1602	SHIELD, PULLEY	1
6	PITT-22	RAMS LOGO SIGN	1
7	HW-1027	HHCS, TYPE F THD CUTTING, 8-32 X 3/8"	4
8	HW-1045	FHCS, 1/4-20 X 3/4", BLACK OXIDE	4
9	SL-1700	CABINET WELDED, SLITTER	1
10	SL-1705	PLATE ASSY, MOTOR MOUNT	1
11	SL-1300	BACKGAGE ASSY	1
12	SL-1707	RIGHT SIDE REMOVABLE PANEL	1
13	SL-1708	LEFT SIDE REMOVABLE PANEL	1
14	HW-1009	WASHER, 1/4" FLAT, 5/8" O.D., ZINC	34
15	HW-1031	HHCS, 1/4-20 X 3/8", ZINC	24
16	HW-1129	SHCS, M8-1.25 X 30MM	7
17	HW-1014	HHCS, 1/4-20 X 3/4", ZINC	8
18	HW-1014	HHCS, 1/4-20 X 3/4", ZINC	1
19	HW-1024	HHCS, 1/4-20 X 1/2", ZINC	1
20	SL-1500	UPPER UNIT ASSEMBLY	1
21	1HP - 56E	1 HP, 1725 RPM, 110V MOTOR	1
22	1909A41	ADHESIVE BACKED SCALE	1
23	RAMS 2011	SERIAL NUMBER TAGS	1
24	Caution Label	LABEL, CAUTION	1
25	Made in the USA	LABEL, MADE IN USA	1
26	AX-1735	CUSTOM HHCS, 3/8-16 x 1-1/4"	4
27	HW-1051	NUT, HEX, 3/8-16, ZINC	4

HORIZON SYSTEMS MACHINING
 9121 58TH PLACE
 KENOSHA, WI 53144
 PH: 262-605-1122
 FAX: 262-605-1198

DIMENSIONS ARE IN INCHES
 TOLERANCES:
 FRACTIONAL ± 1/16
 ANGULAR: MACH ± BEND ±
 TWO PLACE DECIMAL ±.01
 THREE PLACE DECIMAL ±.005

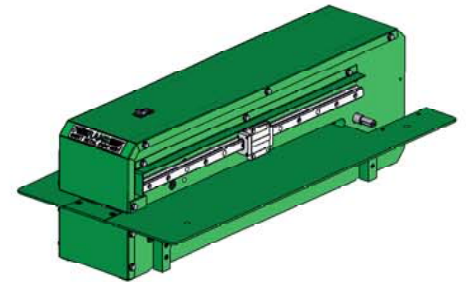
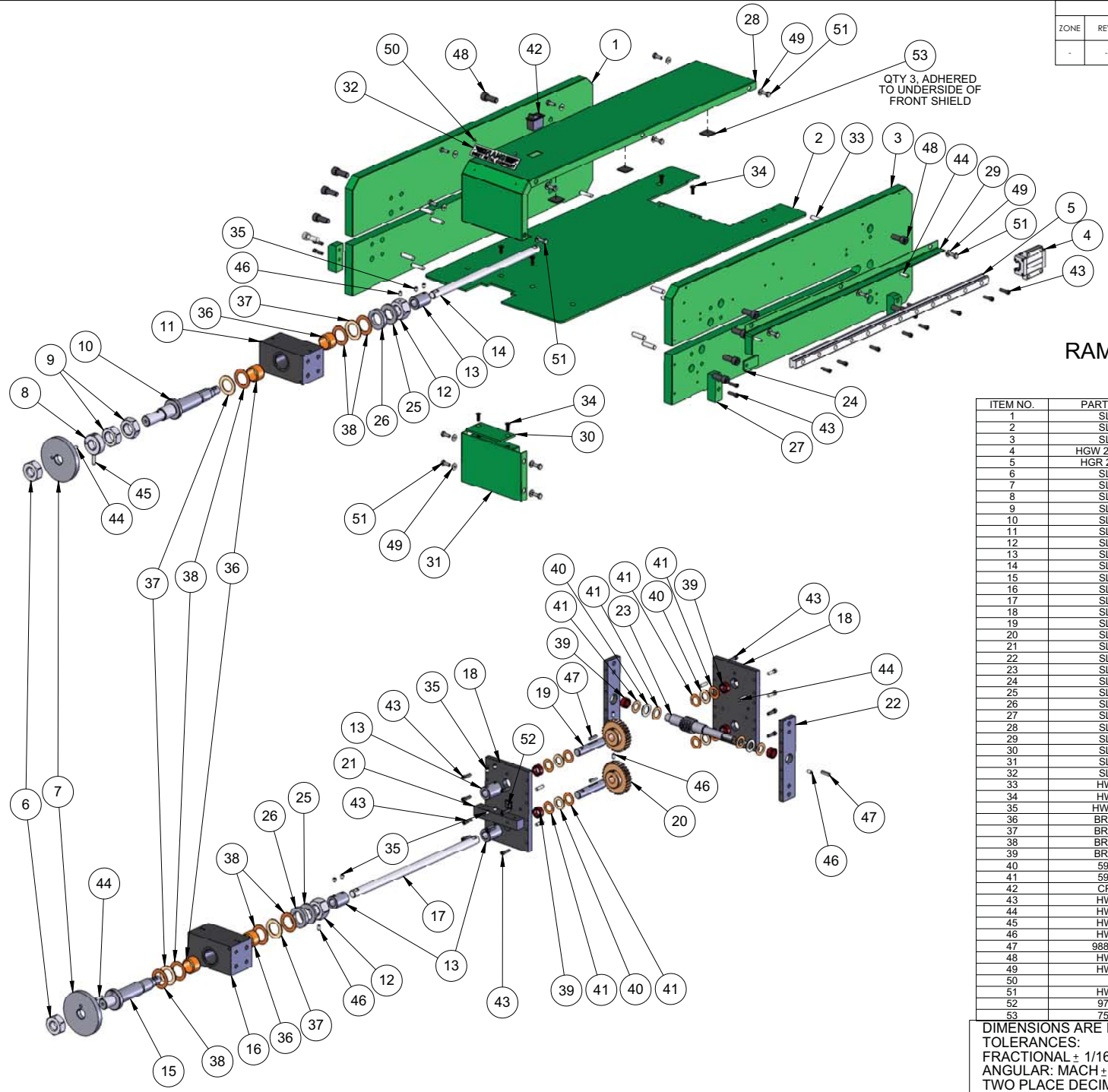
DRAWN	NAME	DATE
CHECKED	RAF	01/22/07
ENG APPR.	SSL	12/10/08
MFG APPR.		
G.A.		

SEE BOM
SEE NOTES
 DO NOT SCALE DRAWING

TITLE: 16 GA SLITTER, CABINET MOUNT
 SIZE DWG. NO. REV
C SL-2011-C **D**

SCALE: 1:5 SHEET 1 OF 3

REVISIONS				
ZONE	REV.	DESCRIPTION	DATE	APPROVED
-	-	See Sheet1	-	-



RAMS - 2011-C, 16 GA SLITTER

ITEM NO.	PART NUMBER	DESCRIPTION	QTY.
1	SL-1101	FRAME, LEFT	1
2	SL-1600	TOP PLATE ASSY	1
3	SL-1102	FRAME, RIGHT	1
4	HGW 25-CA-ZO-H	HGW 25-CA-ZO-H, SLIDE	1
5	HGR 25-R710-H	HGR 25-R710-H, 710 MM RAIL	1
6	SL-1404	NUT, CUTTER LOCKING, 1" X 8 THREAD	2
7	SL-1401	WHEEL, CUTTER	2
8	SL-1203	COLLAR, CUTTER ADJUSTING	1
9	SL-1204	NUT, CUTTER ADJUSTING, 1 1/4"-18 THD	2
10	SL-1201	SHAFT, UPPER CUTTER	1
11	SL-1202	SUPPORT, UPPER CUTTER	1
12	SL-1205	NUT, 1 1/8"-7 UNC THREAD	2
13	SL-1405	COLLAR, SHAFT RETAINING	4
14	SL-1107	SHAFT, UPPER DRIVE	1
15	SL-1402	SHAFT, LOWER CUTTER	1
16	SL-1403	SUPPORT, LOWER CUTTER	1
17	SL-1108	SHAFT, LOWER DRIVE	1
18	SL-1801	COVER, FRONT, GEAR BOX	2
19	SL-1805	SHAFT, CUTTER DRIVE	2
20	SL-1806	WORM GEAR	2
21	SL-1109	RAIL, TABLE MOUNTING	1
22	SL-1803	COVER, SIDES, GEAR BOX	2
23	SL-1804	SHAFT AND WORM GEAR	2
24	SL-1110	STOP BLOCK	1
25	SL-1406	KEYED SHAFT WASHER	2
26	SL-1407	SHAFT THRUST WASHER	2
27	SL-1103	FOOT, TABLE MOUNTING	4
28	SL-1105	SHIELD, FRONT	1
29	SL-1106	SHIELD, RAIL	1
30	SL-1603	COVER, CUTTER ACCESS	1
31	SL-1704	SHIELD, LOWER CUTTER	1
32	SL-1720	SMALL RAMS LOGO	1
33	HW-1152	DOWEL PIN, 3/8" X 1-1/2"	12
34	HW-1045	FHCS, 1/4-20 X 3/4", BLACK OXIDE	6
35	HW-1098-3	SET SCREW, 5/16-18 X 3/8", CUP POINT, PATCHLOC	8
36	BRG-1000	BEARING, CUP, 1.25 SHAFT, B-2016	4
37	BRG-1001	BEARING, THRUST, 1.25 SHAFT, NTA-2031	4
38	BRG-1002	WASHER, THRUST, 1.25 SHAFT, TRB-2031	7
39	BRG-1005	NEEDLE BEARING, 3/4 ID X 1 OD X 1/2 THK, B-128	6
40	5909K33	BEARING, NEEDLE ROLLER, .75 SHAFT	6
41	5909K46	BEARING THRUST WASHER, .75 SHAFT	12
42	CPF-034	TIPPER SWITCH	1
43	HW-1057	SHCS, 1/4-20 X 7/8" BLACK	32
44	HW-1147	DOWEL PIN, 1/4" X 1"	12
45	HW-1157	ROLL PIN, 1/4" X 1-1/4"	1
46	HW-1089	SET SCREW, 1/4-20 X 1/2", CUP POINT	5
47	98870A140	KEY, 3/16" X 3/16" X 1"	3
48	HW-1055	SHCS, 1/2-13 X 1 1/4", BLACK	12
49	HW-1009	WASHER, 1/4" FLAT, 5/8" O.D., ZINC	15
50	N/A	HHMS, 6-32 X 3/8", ZINC	2
51	HW-1014	HHCS, 1/4-20 X 3/4", ZINC	15
52	9723K81	BUMPER, VINYL	1
53	7582K12	CABLE TIE MOUNT	3

DIMENSIONS ARE IN INCHES
TOLERANCES:
 FRACTIONAL $\pm 1/16$
 ANGULAR: MACH \pm BEND \pm
 TWO PLACE DECIMAL $\pm .01$
 THREE PLACE DECIMAL $\pm .005$

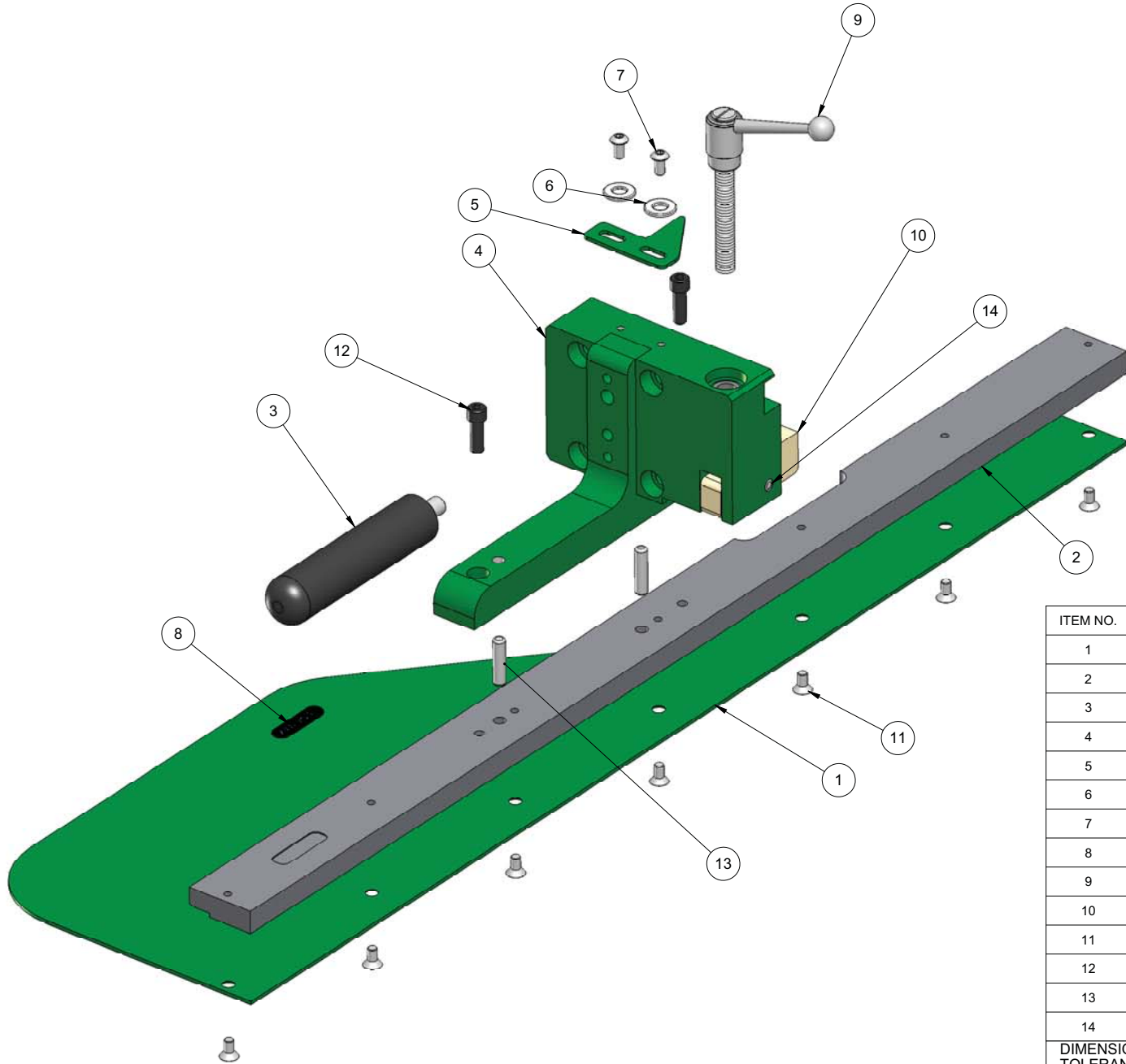
DRAWN	NAME	DATE	HORIZON SYSTEMS MACHINING 9121 58TH PLACE KENOSHA, WI 53144 PH: 262-605-1122 FAX: 262-605-1198
CHECKED	RAF	01/22/07	
ENG APPR.	SSL	12/10/08	
MFG APPR.			
G.A.			

MATERIAL: SEE BOM
FINISH: SEE NOTES
DO NOT SCALE DRAWING

TITLE: UPPER UNIT ASSEMBLY
SIZE: DWG. NO. **C** SL-2011-C
REV: **D**

SCALE: 1:5
 SHEET 2 OF 3

REVISIONS				
ZONE	REV.	DESCRIPTION	DATE	APPROVED
-	-	See Sheet1	-	-



RAMS - 2011-C, 16 GA SLITTER

ITEM NO.	PART NUMBER	DESCRIPTION	QTY.
1	SL-1305	PLATE, BACKGAGE	1
2	SL-1301	RAIL, DEPTH GUIDE	1
3	SL-1304	HANDLE, SLIDE	1
4	SL-1310	SLIDE RAIL ASSEMBLY	1
5	SL-1302	INDICATOR, MEASURING	1
6	HW-1009	WASHER, 1/4" FLAT, 5/8" O.D., ZINC	2
7	HW-1005	BHCS, 10-32 X 1/2"	2
8	16 GA MAX	LABEL, 16 GA MAX	1
9	6271K290	HANDLE, LOCKING	1
10	SL-1308	LATCH SLIDE	1
11	HW-1044	FHCS, 10-32 X 3/8, 82 DEG	7
12	HW-1022	SHCS, 1/4-20 X 3/4",BLACK	2
13	HW-1147	DOWEL PIN, 1/4" X 1"	2
14	HW-1153	DOWEL PIN, 1/4" X 1 1/8"	1

HORIZON SYSTEMS MACHINING
 9121 58TH PLACE
 KENOSHA, WI 53144
 PH: 262-605-1122
 FAX: 262-605-1198

SEE BOM
SEE NOTES
 DO NOT SCALE DRAWING

TITLE: BACKGAGE ASSY
 SIZE DWG. NO. REV
C SL-2011-C D

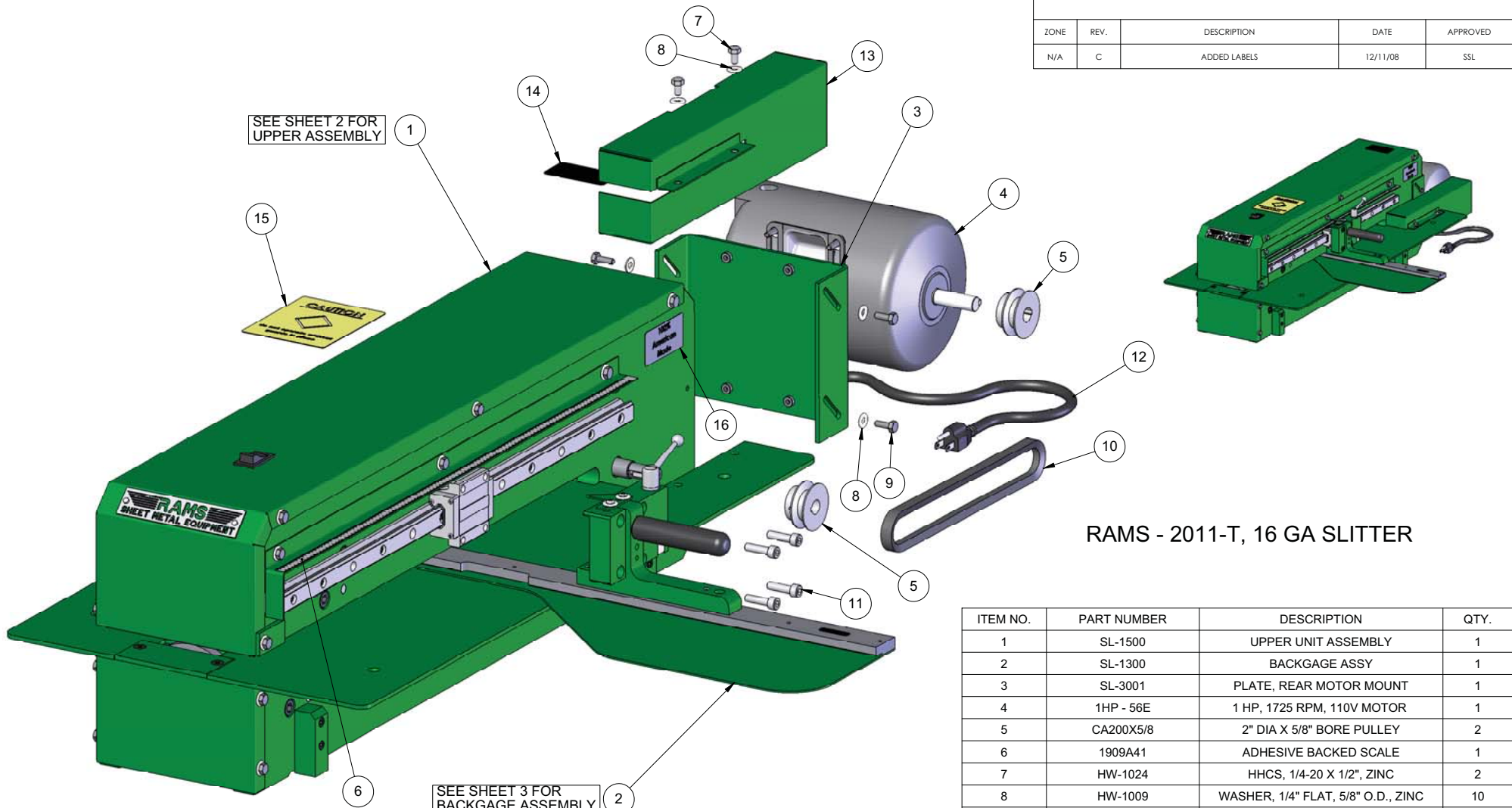
SCALE: 1:1.5 SHEET 3 OF 3

DIMENSIONS ARE IN INCHES
 TOLERANCES:
 FRACTIONAL ± 1/16
 ANGULAR: MACH ± BEND ±
 TWO PLACE DECIMAL ±.01
 THREE PLACE DECIMAL ±.005

THE INFORMATION CONTAINED IN THIS DRAWING IS THE SOLE PROPERTY OF HORIZON SYSTEMS MACHINING. ANY REPRODUCTION IN PART OR AS A WHOLE WITHOUT THE WRITTEN PERMISSION OF HORIZON SYSTEMS MACHINING IS PROHIBITED.

DRAWN	NAME	DATE
CHECKED	SSL	12/10/08
ENG APPR.		
MFG APPR.		
G.A.		

REVISIONS				
ZONE	REV.	DESCRIPTION	DATE	APPROVED
N/A	C	ADDED LABELS	12/11/08	SSL



RAMS - 2011-T, 16 GA SLITTER

ITEM NO.	PART NUMBER	DESCRIPTION	QTY.
1	SL-1500	UPPER UNIT ASSEMBLY	1
2	SL-1300	BACKGAGE ASSY	1
3	SL-3001	PLATE, REAR MOTOR MOUNT	1
4	1HP - 56E	1 HP, 1725 RPM, 110V MOTOR	1
5	CA200X5/8	2" DIA X 5/8" BORE PULLEY	2
6	1909A41	ADHESIVE BACKED SCALE	1
7	HW-1024	HHCS, 1/4-20 X 1/2", ZINC	2
8	HW-1009	WASHER, 1/4" FLAT, 5/8" O.D., ZINC	10
9	HW-1014	HHCS, 1/4-20 X 3/4", ZINC	8
10	N/A	4L-270 V-BELT	1
11	HW-1129	SHCS, M8-1.25 X 30MM	4
12	N/A	POWER CORD	1
13	SL-3003	PULLEY COVER	1
14	RAMS 2011	SERIAL NUMBER TAGS	1
15	Caution Label	LABEL, CAUTION	1
16	Made in the USA	LABEL, MADE IN USA	1

HORIZON SYSTEMS MACHINING
 9121 58TH PLACE
 KENOSHA, WI 53144
 PH: 262-605-1122
 FAX: 262-605-1198

TITLE: 16 GA SLITTER, TABLE MOUNT
SIZE: DWG. NO. SL-2011-T
REV: C

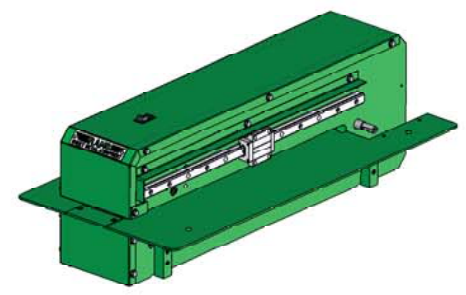
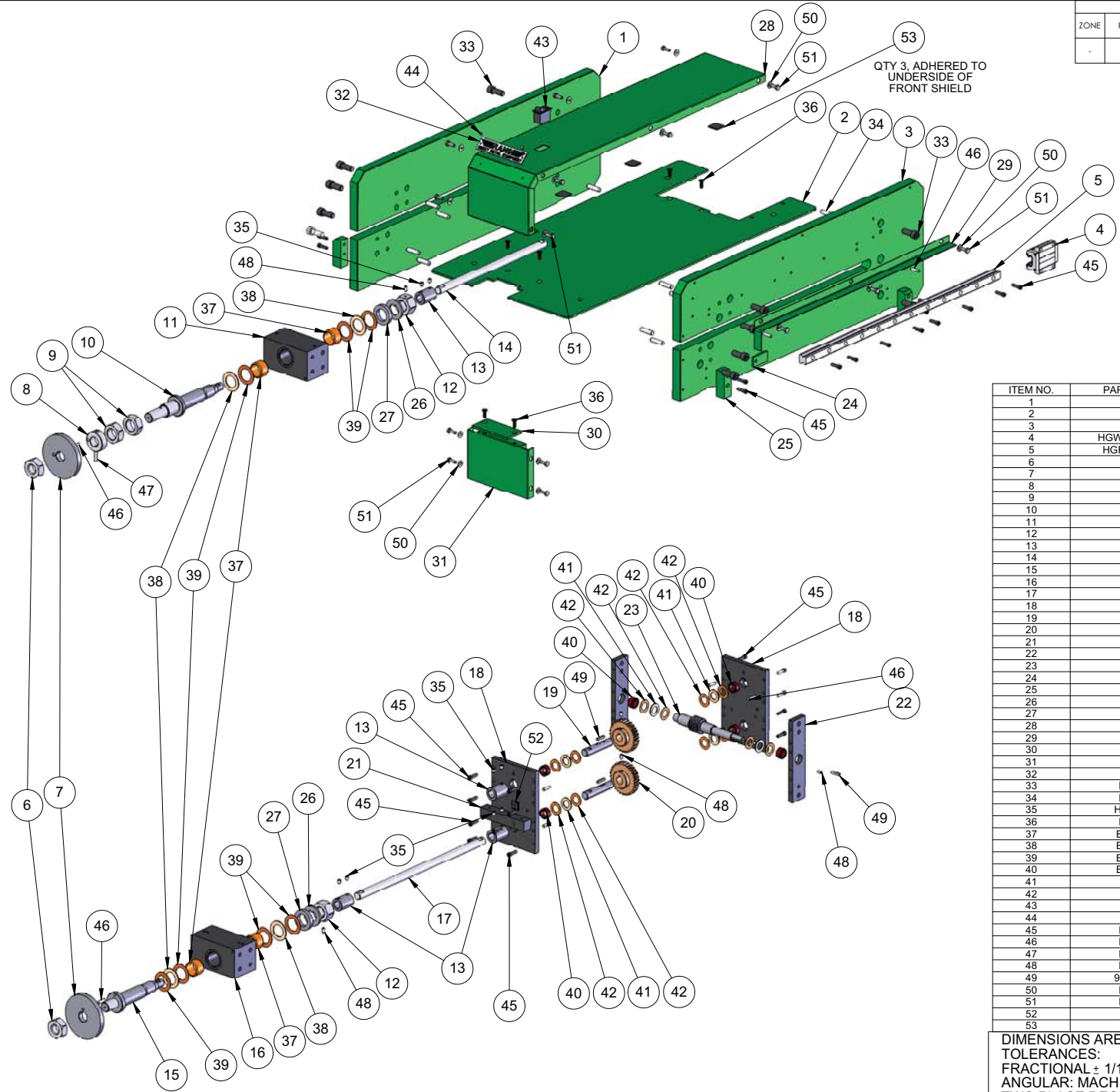
DIMENSIONS ARE IN INCHES
 TOLERANCES:
 FRACTIONAL ± 1/16
 ANGULAR: MACH ± BEND ±
 TWO PLACE DECIMAL ±.01
 THREE PLACE DECIMAL ±.005

DO NOT SCALE DRAWING SCALE: 1:3 SHEET 1 OF 3

SEE BOM
SEE NOTES

THE INFORMATION CONTAINED IN THIS DRAWING IS THE SOLE PROPERTY OF HORIZON SYSTEMS MACHINING. ANY REPRODUCTION IN PART OR AS A WHOLE WITHOUT THE WRITTEN PERMISSION OF HORIZON SYSTEMS MACHINING IS PROHIBITED.

REVISIONS				
ZONE	REV.	DESCRIPTION	DATE	APPROVED
-	-	See Sheet1	-	-



RAMS - 2011-T, 16 GA SLITTER

ITEM NO.	PART NUMBER	DESCRIPTION	QTY.
1	SL-1101	FRAME, LEFT	1
2	SL-1600	TOP PLATE ASSY	1
3	SL-1102	FRAME, RIGHT	1
4	HGW 25-CA-ZO-H	HGW 25-CA-ZO-H, SLIDE	1
5	HGR 25-R710-H	HGR 25-R710-H, 710 MM RAIL	1
6	SL-1404	NUT, CUTTER LOCKING, 1"-8 THREAD	2
7	SL-1401	WHEEL, CUTTER	2
8	SL-1203	COLLAR, CUTTER ADJUSTING	1
9	SL-1204	NUT, CUTTER ADJUSTING, 1 1/4"-18 THD	2
10	SL-1201	SHAFT, UPPER CUTTER	1
11	SL-1202	SUPPORT, UPPER CUTTER	1
12	SL-1205	NUT, 1 1/8"-7 UNC THREAD	2
13	SL-1405	COLLAR, SHAFT RETAINING	4
14	SL-1107	SHAFT, UPPER DRIVE	1
15	SL-1402	SHAFT, LOWER CUTTER	1
16	SL-1403	SUPPORT, LOWER CUTTER	1
17	SL-1108	SHAFT, LOWER DRIVE	1
18	SL-1801	COVER, FRONT, GEAR BOX	2
19	SL-1805	SHAFT, CUTTER DRIVE	2
20	SL-1806	WORM GEAR	2
21	SL-1109	RAIL, TABLE MOUNTING	1
22	SL-1803	COVER, SIDES, GEAR BOX	2
23	SL-1804	SHAFT AND WORM GEAR	1
24	SL-1110	STOP BLOCK	1
25	SL-1103	FOOT, TABLE MOUNTING	4
26	SL-1406	KEYED SHAFT WASHER	2
27	SL-1407	SHAFT THRUST WASHER	2
28	SL-1105	SHIELD, FRONT	1
29	SL-1106	SHIELD, RAIL	1
30	SL-1603	COVER, CUTTER ACCESS	1
31	SL-1704	SHIELD, LOWER CUTTER	1
32	SL-1720	SMALL RAMS LOGO	1
33	HW-1055	SHCS, 1/2-13 X 1 1/4", BLACK	12
34	HW-1152	DOWEL PIN, 3/8" X 1-1/2"	12
35	HW-1098-3	SET SCREW, 5/16-18 X 3/8", CUP POINT, PATCHLOC	8
36	HW-1045	FHCS, 1/4-20 X 3/4", BLACK OXIDE	6
37	BRG-1000	BEARING, CLIP, 1.25 SHAFT, B-2016	4
38	BRG-1001	BEARING, THRUST, 1.25 SHAFT, NTA-2031	4
39	BRG-1002	WASHER, THRUST, 1.25 SHAFT, TRB-2031	7
40	BRG-1005	NEEDLE BEARING, 3/4 ID X 1 OD X 1/2 THK, B-128	6
41	5909K33	BEARING, NEEDLE ROLLER, .75 SHAFT	6
42	5909K46	BEARING THRUST WASHER, .75 SHAFT	12
43	CPF-034	TIPPETTE SWITCH	1
44	N/A	HHMS, 6-32 X 3/8", ZINC	2
45	HW-1057	SHCS, 1/4-20 X 7/8", BLACK	32
46	HW-1147	DOWEL PIN, 1/4" X 1"	12
47	HW-1157	ROLL PIN, 1/4" X 1-1/4"	1
48	HW-1089	SET SCREW, 1/4-20 X 1/2", CUP POINT	5
49	98870A140	KEY, 3/16" X 3/16" X 1"	3
50	HW-1009	WASHER, 1/4" FLAT, 5/8" O.D., ZINC	15
51	HW-1014	HHCS, 1/4-20 X 3/4", ZINC	15
52	9723K81	BUMPER, VINYL	1
53	7582K12	CABLE TIE MOUNT	3

DIMENSIONS ARE IN INCHES
TOLERANCES:
 FRACTIONAL $\pm 1/16$
 ANGULAR: MACH \pm BEND \pm
 TWO PLACE DECIMAL $\pm .01$
 THREE PLACE DECIMAL $\pm .005$

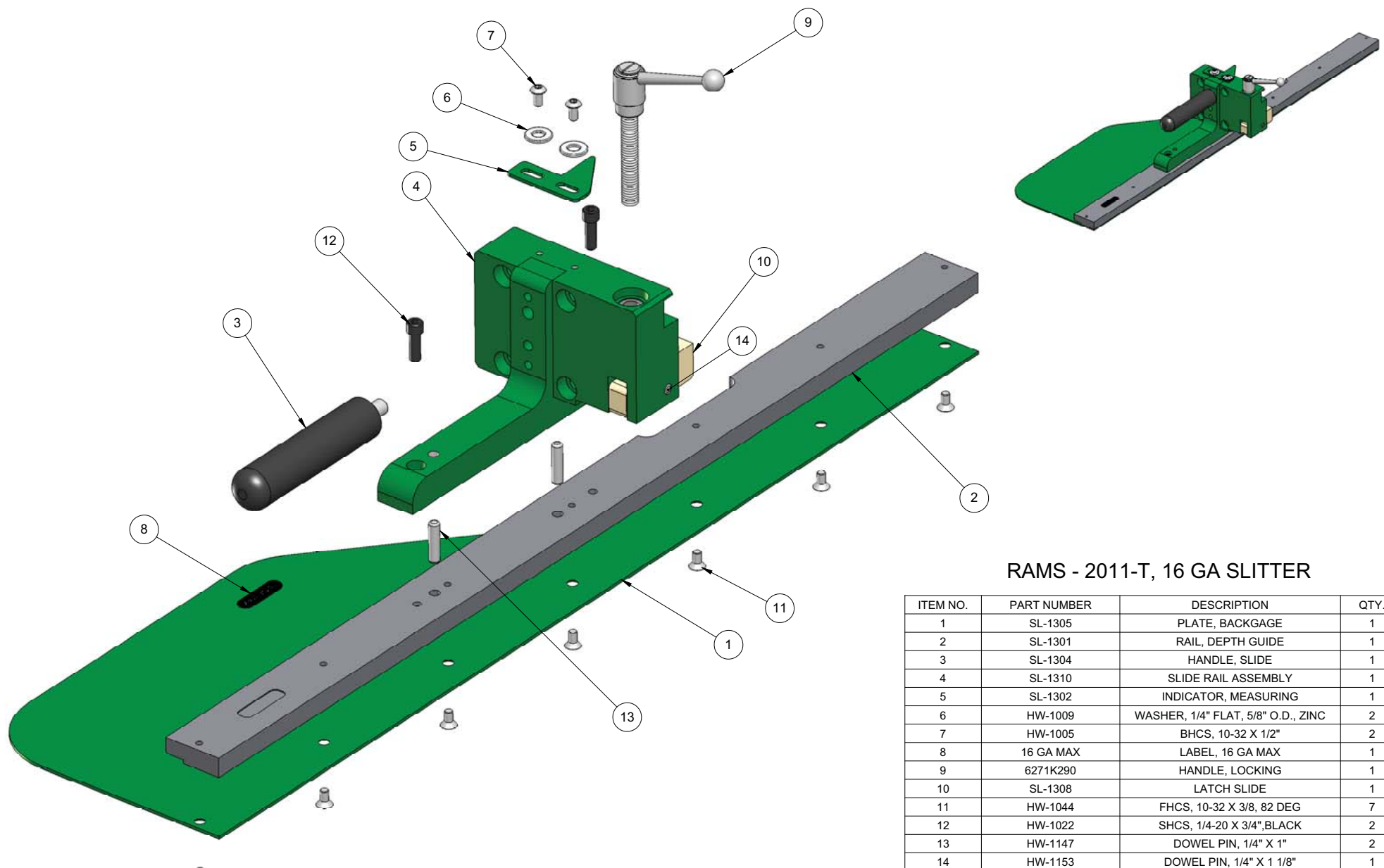
DRAWN	RAF	DATE	01/22/07
CHECKED	SSL	DATE	12/11/08
ENG APPR.			
MFG APPR.			
G.A.			

HORIZON SYSTEMS MACHINING
 9121 58TH PLACE
 KENOSHA, WI 53144
 PH: 262-605-1122
 FAX: 262-605-1198

MATERIAL	SEE BOM	TITLE	UPPER UNIT ASSEMBLY
FINISH	SEE NOTES	SIZE	DWG. NO. SL-2011-T
		REV	C

DO NOT SCALE DRAWING SCALE: 1:3 SHEET 2 OF 3

REVISIONS				
ZONE	REV.	DESCRIPTION	DATE	APPROVED
-	-	See Sheet1	-	-



RAMS - 2011-T, 16 GA SLITTER

ITEM NO.	PART NUMBER	DESCRIPTION	QTY.
1	SL-1305	PLATE, BACKGAGE	1
2	SL-1301	RAIL, DEPTH GUIDE	1
3	SL-1304	HANDLE, SLIDE	1
4	SL-1310	SLIDE RAIL ASSEMBLY	1
5	SL-1302	INDICATOR, MEASURING	1
6	HW-1009	WASHER, 1/4" FLAT, 5/8" O.D., ZINC	2
7	HW-1005	BHCS, 10-32 X 1/2"	2
8	16 GA MAX	LABEL, 16 GA MAX	1
9	6271K290	HANDLE, LOCKING	1
10	SL-1308	LATCH SLIDE	1
11	HW-1044	FHCS, 10-32 X 3/8, 82 DEG	7
12	HW-1022	SHCS, 1/4-20 X 3/4",BLACK	2
13	HW-1147	DOWEL PIN, 1/4" X 1"	2
14	HW-1153	DOWEL PIN, 1/4" X 1 1/8"	1

HORIZON SYSTEMS MACHINING
 9121 58TH PLACE
 KENOSHA, WI 53144
 PH: 262-605-1122
 FAX: 262-605-1198

TITLE: BACKGAGE ASSY

SEE BOM
SEE NOTES
DO NOT SCALE DRAWING

NAME: RAF **DATE: 02/03/07**
CHECKED: SSL **12/11/08**
ENG APPR.
MFG APPR.
G.A.

SIZE: C **DWG. NO.: SL-2011-T** **REV: C**

SCALE: 1:3 **SHEET 3 OF 3**

DIMENSIONS ARE IN INCHES
 TOLERANCES:
 FRACTIONAL ± 1/16
 ANGULAR: MACH ± BEND ±
 TWO PLACE DECIMAL ±.01
 THREE PLACE DECIMAL ±.005

THE INFORMATION CONTAINED IN THIS DRAWING IS THE SOLE PROPERTY OF HORIZON SYSTEMS MACHINING. ANY REPRODUCTION IN PART OR AS A WHOLE WITHOUT THE WRITTEN PERMISSION OF HORIZON SYSTEMS MACHINING IS PROHIBITED.